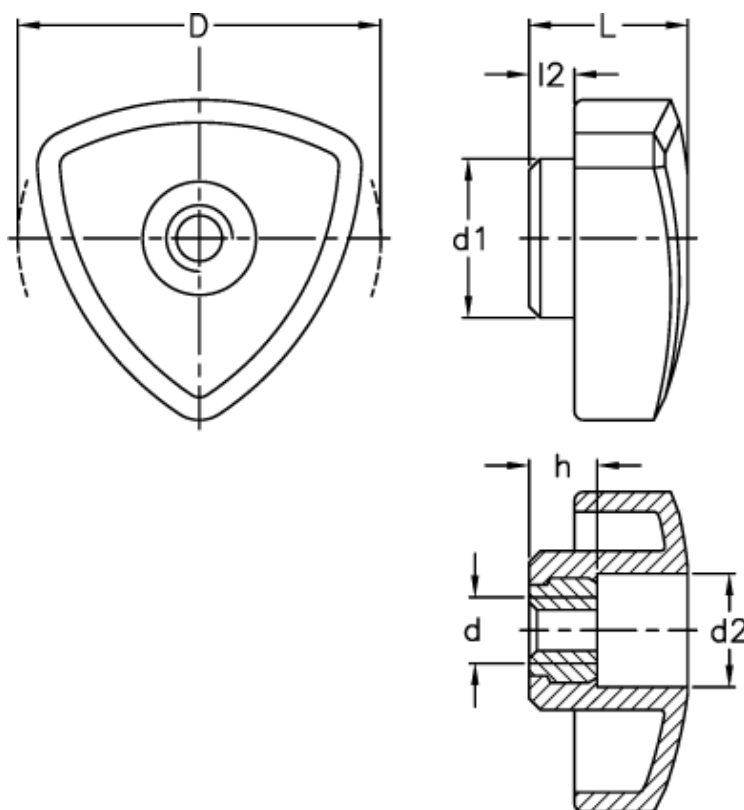


Article number: 2302083021

Description: E+G Lock knob  
VTR.32 FP-M5

## Measures



$d$	= 32
$d_1$	= 14
$d_2$	= 10
$d\ 6H$	= M5
$h$	= 6
$L$	= 14
$l_2$	= 4